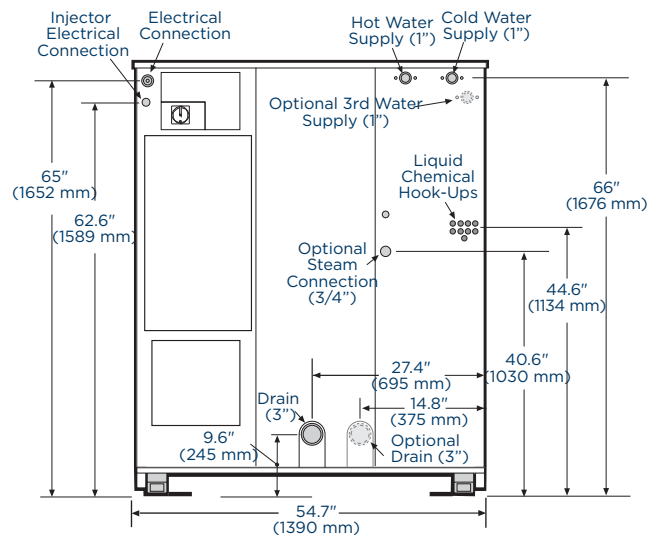
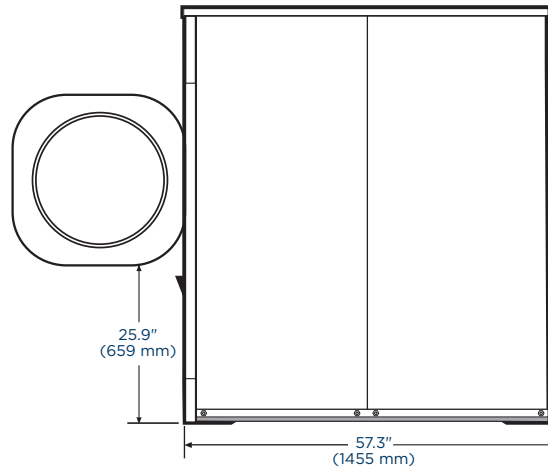
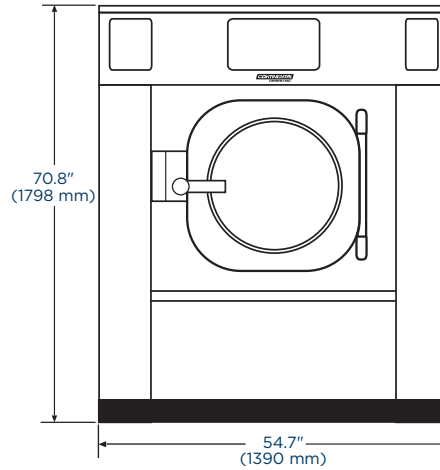


EH090

ON-PREMISE E-SERIES SOFT-MOUNT WASHER-EXTRACTOR

Capacity <i>lbs</i>	90
Cylinder Diameter <i>inch</i>	35.4
Cylinder Depth <i>inch</i>	24.4
Cylinder Volume <i>cu ft</i>	13.9
Net Weight <i>lbs</i>	3106
Crated Weight <i>lbs</i>	3405
Machine Dimensions <i>inch</i> WxDxH	54.7 x 57.3 x 70.8
Door Opening <i>inch</i>	22
Floor to Door <i>inch</i>	25.9
Shipping Dimensions <i>inch</i> WxDxH	59.8 x 62.2 x 79.9
Washing Speed <i>rpm</i>	19/26/33/40
Spin Speeds <i>rpm</i>	40/79/325/490/680/870
G-force	0.8/3.1/53/121/233/381
Static Force Transmitted <i>lbs</i>	3547
Dynamic Force Transmitted <i>lbs</i>	556
Frequency of Dynamic Force <i>Hz</i>	14.5
Available Voltages/Wire Conductor/Amp	
Hot Water (standard)	208-240/60/3, 3W+G, 15
Hot Water (standard)	440-480/60/3, 3W+G, 10
Electric Auxiliary Heat (optional)	208/60/3, 3W+G, 80
Electric Auxiliary Heat (optional)	240/60/3, 3W+G, 80
Steam Auxiliary Heat (optional)	208-240/60/3, 3W+G, 15
Steam Auxiliary Heat (optional)	440-480/60/3, 3W+G, 10
Drain Diameter <i>inch</i>	3
Water Inlets <i>inch</i>	2 @ 1
Recommended Water Pressure <i>PSI</i>	30-60
Water Flow <i>gal/min</i>	26
Steam Connection <i>inch</i>	3/4
Steam Pressure (optional) <i>PSI</i>	29-87
Steam Flow (optional) <i>lbs/h</i>	397
Total Power <i>kW</i>	4.8
Electrical Heating Power (optional) <i>kW</i>	
208/60/3	18.6
240/60/3	24.2

* Specifications subject to change without notice or obligation. Contact Continental Girbau at (800) 256-1073 for dimensions not shown or for clarification.

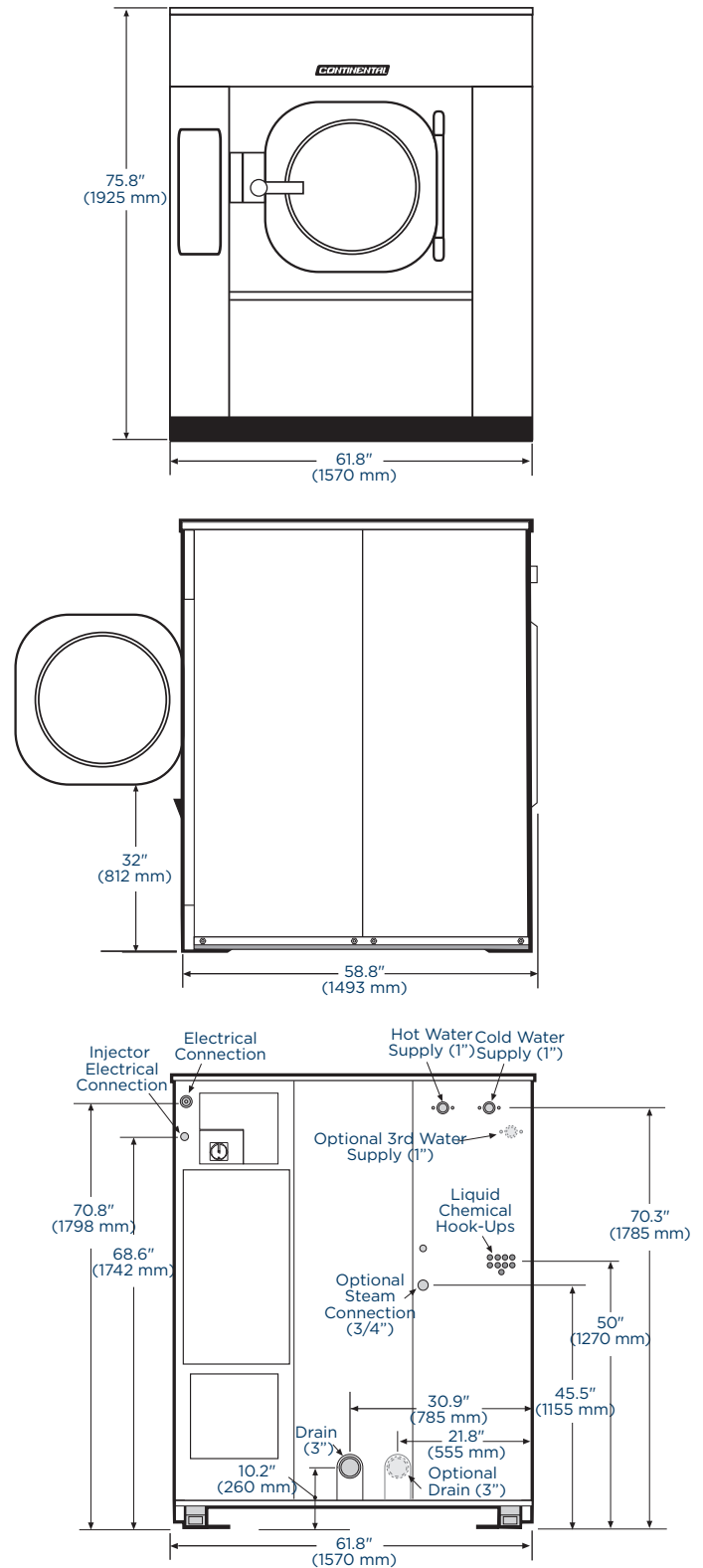


EH130 Stat

ON-PREMISE E-SERIES SOFT-MOUNT WASHER-EXTRACTOR

Capacity <i>lbs</i>	130
Cylinder Diameter <i>inch</i>	42.5
Cylinder Depth <i>inch</i>	24.4
Cylinder Volume <i>cu ft</i>	20.1
Net Weight <i>lbs</i>	4260
Crated Weight <i>lbs</i>	4636
Machine Dimensions <i>inch</i> WxDxH	61.8 x 58.8 x 75.8
Door Opening <i>inch</i>	22
Floor to Door <i>inch</i>	32
Shipping Dimensions <i>inch</i> WxDxH	66.5 x 64.8 x 85
Washing Speed <i>rpm</i>	13/18/24/30/36
Spin Speeds <i>rpm</i>	72/300/450/625/800
G-force	3.13/54/122/236/387
Static Force Transmitted <i>lbs</i>	4888
Dynamic Force Transmitted <i>lbs</i>	692
Frequency of Dynamic Force <i>Hz</i>	13.3
Available Voltages/Wire Conductor/Amp	
Hot Water (standard)	208-240/60/3, 3W+G, 25
Hot Water (standard)	440-480/60/3, 3W+G, 15
Electric Auxiliary Heat (optional)	208/60/3, 3W+G, 100
Electric Auxiliary Heat (optional)	240/60/3, 3W+G, 125
Steam Auxiliary Heat (optional)	208-240/60/3, 3W+G, 25
Steam Auxiliary Heat (optional)	440-480/60/3, 3W+G, 15
Drain Diameter <i>inch</i>	3
Water Inlets <i>inch</i>	2 @ 1
Recommended Water Pressure <i>PSI</i>	30-60
Water Flow <i>gal/min</i>	26
Steam Connection <i>inch</i>	3/4
Steam Pressure (optional) <i>PSI</i>	29-87
Steam Flow (optional) <i>lbs/h</i>	397
Total Power <i>kW</i>	7.3
Electrical Heating Power (optional) <i>kW</i>	
208/60/3	27.6
240/60/3	35.8

* Specifications subject to change without notice or obligation. Contact Continental Girbau at (800) 256-1073 for dimensions not shown or for clarification.



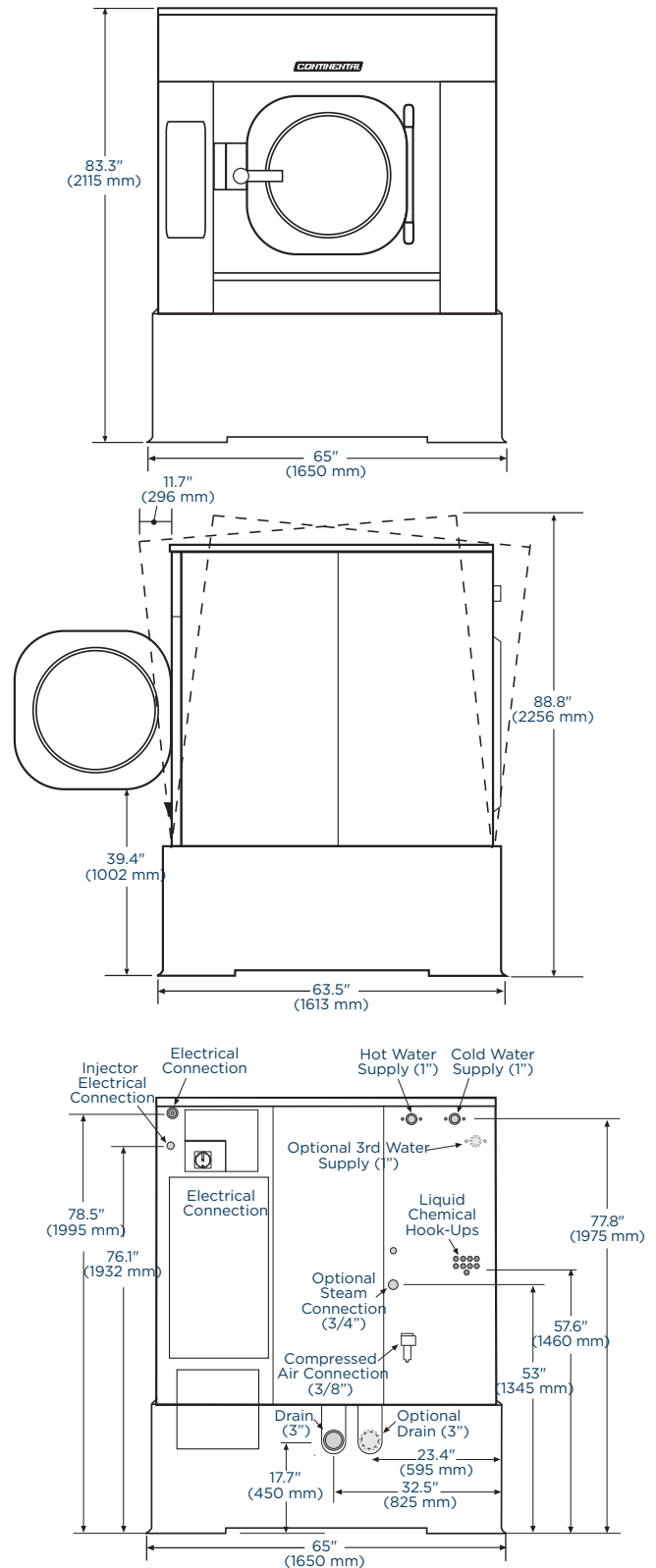
EH130 Tilt

ON-PREMISE E-SERIES SOFT-MOUNT WASHER-EXTRACTOR

ARCHITECTURAL/MECHANICAL
PRODUCT SPECIFICATIONS

Capacity <i>lbs</i>	130
Cylinder Diameter <i>inch</i>	42.5
Cylinder Depth <i>inch</i>	24.4
Cylinder Volume <i>cu ft</i>	20.1
Net Weight <i>lbs</i>	4965
Crated Weight <i>lbs</i>	5549
Crated Weight-Tilt Assembly <i>lbs</i>	913
Machine Dimensions <i>inch</i> WxDxH	65 x 63.5 x 83.3
Door Opening <i>inch</i>	22
Floor to Door <i>inch</i>	39.4
Shipping Dimensions <i>inch</i> WxDxH	66.5 x 64.8 x 85
Shipping Dimensions-Tilt Assembly WxDxH <i>inch</i>	42.5 x 78 x 27.6
Washing Speed <i>rpm</i>	13/18/24/30/36
Spin Speeds <i>rpm</i>	72/300/450/625/800
G-force	3.13/54/122/236/387
Static Force Transmitted <i>lbs</i>	5594
Dynamic Force Transmitted <i>lbs</i>	692
Frequency of Dynamic Force <i>Hz</i>	13.3
Available Voltages/Wire Conductor/Amp	
Hot Water (standard)	208-240/60/3, 3W+G, 25
Hot Water (standard)	440-480/60/3, 3W+G, 15
Electric Auxiliary Heat (optional)	208/60/3, 3W+G, 100
Electric Auxiliary Heat (optional)	240/60/3, 3W+G, 125
Steam Auxiliary Heat (optional)	208-240/60/3, 3W+G, 25
Steam Auxiliary Heat (optional)	440-480/60/3, 3W+G, 15
Drain Diameter <i>inch</i>	3
Water Inlets <i>inch</i>	2 @ 1
Recommended Water Pressure <i>PSI</i>	30-60
Water Flow <i>gal/min</i>	26
Steam Connection <i>inch</i>	3/4
Steam Pressure (optional) <i>PSI</i>	29-87
Steam Flow (optional) <i>lbs/h</i>	397
Total Power <i>kW</i>	7.3
Electrical Heating Power (optional) <i>kW</i> 208/60/3	27.6
240/60/3	35.8
Compressed Air Connection <i>inch</i>	3/8
Compressed Air Pressure <i>PSI</i>	87-100
Compressed Air Flow <i>cfm</i>	7

* Specifications subject to change without notice or obligation. Contact Continental Girbau at (800) 256-1073 for dimensions not shown or for clarification.



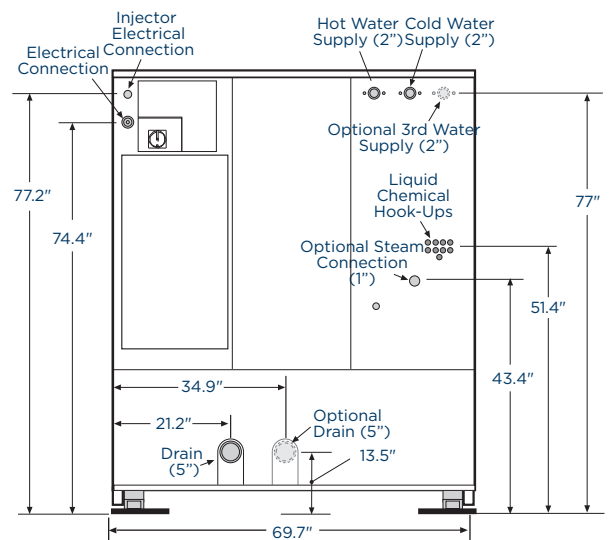
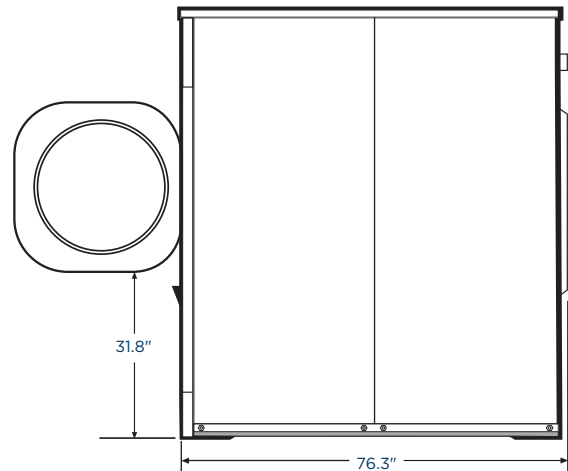
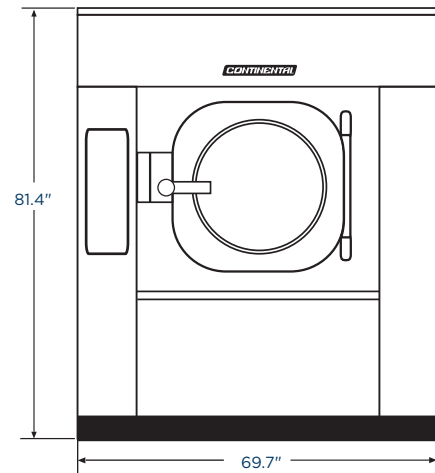
EH190 Stat

190LB CAPACITY ON-PREMISE WASHER-EXTRACTOR

ARCHITECTURAL/MECHANICAL
PRODUCT SPECIFICATIONS

Capacity <i>lbs</i>	190
Cylinder Diameter <i>inch</i>	51.6
Cylinder Depth <i>inch</i>	24.8
Cylinder Volume <i>cu ft</i>	30.1
Net Weight <i>lbs</i>	8281
Crated Weight <i>lbs</i>	8834
Machine Dimensions <i>inch</i> WxDxH	69.7 x 76.3 x 81.4
Door Opening <i>inch</i>	26.9
Floor to Door <i>inch</i>	31.8
Shipping Dimensions <i>inch</i> WxDxH	76.8 x 83.5 x 88.4
Washing Speeds <i>rpm</i>	21/26/36/32
Spin Speeds <i>rpm</i>	66/250/405/565/725
G-force	3.2/46/120/234/385
Static Force Transmitted <i>lbs</i>	9218
Dynamic Force Transmitted <i>lbs</i>	1157
Frequency of Dynamic Force <i>Hz</i>	12.1
Available Voltages / Wire Conductor / Amp	
Hot Water / Steam Auxiliary Heat	208-240/60/3, 3W+G, 30 Amp
Hot Water / Steam Auxiliary Heat	440-480/60/3, 3W+G, 15 Amp
Drain Diameter <i>inch</i>	5
Water Inlets <i>inch</i>	2 @ 2
Recommended Water Pressure <i>PSI</i>	30-60
Water Flow <i>gal/min</i>	58
Steam Connection <i>inch</i>	1
Steam Pressure (optional) <i>PSI</i>	29-60
Steam Flow (optional) <i>lbs/h</i>	794
Total Power <i>kW</i>	9
Compressed Air Connection <i>inch</i>	3/8
Compressed Air Pressure <i>PSI</i>	87-100
Compressed Air Flow <i>cfm</i>	10

* Specifications subject to change without notice or obligation. Contact Continental Girbau at (800) 256-1073 for dimensions not shown or for clarification.



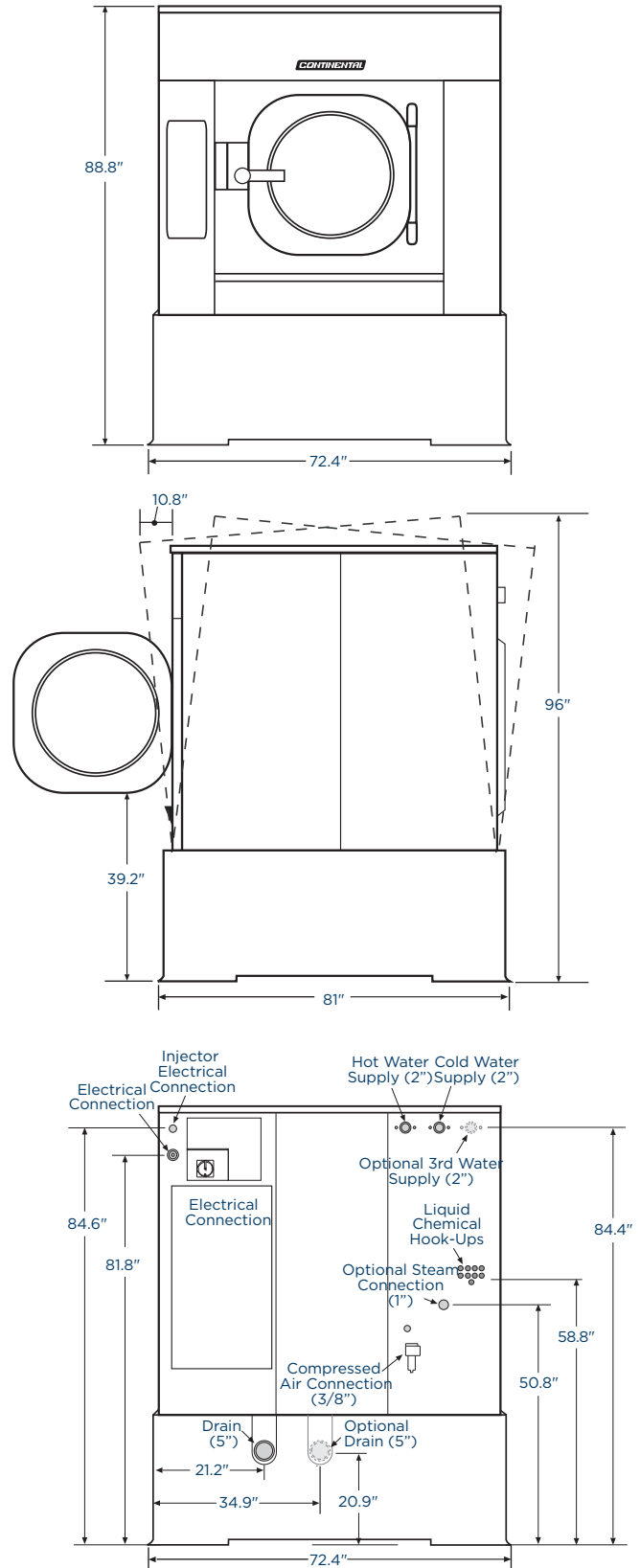
EH190 Tilt

190LB CAPACITY ON-PREMISE WASHER-EXTRACTOR

ARCHITECTURAL/MECHANICAL
PRODUCT SPECIFICATIONS

Capacity <i>lbs</i>	190
Cylinder Diameter <i>inch</i>	51.6
Cylinder Depth <i>inch</i>	24.8
Cylinder Volume <i>cu ft</i>	30.1
Net Weight <i>lbs</i>	9058
Crated Weight <i>lbs</i>	9876
Crated Weight - tilt assembly <i>lbs</i>	1112
Machine Dimensions <i>inch</i> WxDxH	72.4 x 81 x 88.8
Door Opening <i>inch</i>	26.9
Floor to Door <i>inch</i>	39.2
Shipping Dimensions <i>inch</i> WxDxH	76.8 x 83.5 x 88.4
Shipping Dimensions - tilt assembly <i>inch</i> WxDxH	42.5 x 78 x 27.6
Washing Speeds <i>rpm</i>	21/26/36/32
Spin Speeds <i>rpm</i>	66/250/405/565/725
G-force	3.2/46/120/234/385
Static Force Transmitted <i>lbs</i>	9995
Dynamic Force Transmitted <i>lbs</i>	1157
Frequency of Dynamic Force <i>Hz</i>	12.1
Available Voltages / Wire Conductor / Amp	
Hot Water / Steam Auxiliary Heat	208-240/60/3, 3W+G, 30 Amp
Hot Water / Steam Auxiliary Heat	440-480/60/3, 3W+G, 15 Amp
Drain Diameter <i>inch</i>	5
Water Inlets <i>inch</i>	2 @ 2
Recommended Water Pressure <i>PSI</i>	30-60
Water Flow <i>gal/min</i>	58
Steam Connection <i>inch</i>	1
Steam Pressure (optional) <i>PSI</i>	29-60
Steam Flow (optional) <i>lbs/h</i>	794
Total Power <i>kW</i>	9
Compressed Air Connection <i>inch</i>	3/8
Compressed Air Pressure <i>PSI</i>	87-100
Compressed Air Flow <i>cfm</i>	10

* Specifications subject to change without notice or obligation. Contact Continental Girbau at (800) 256-1073 for dimensions not shown or for clarification.

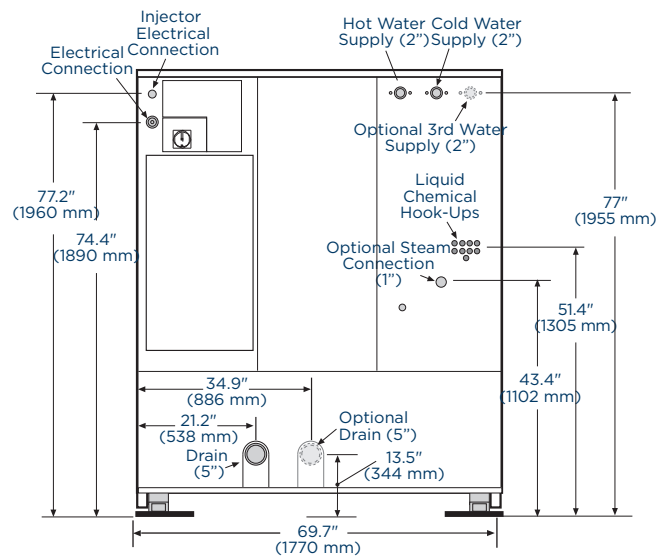
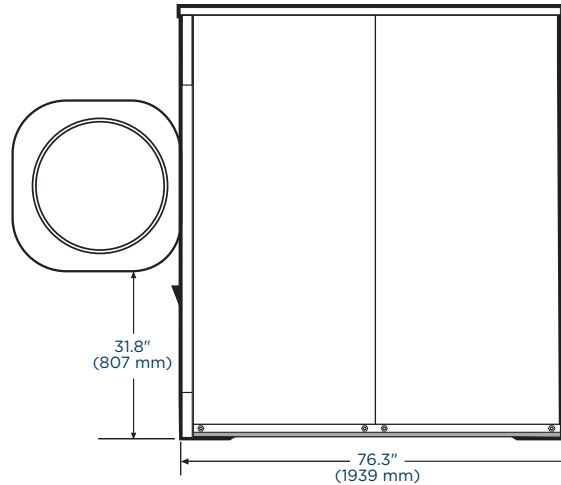
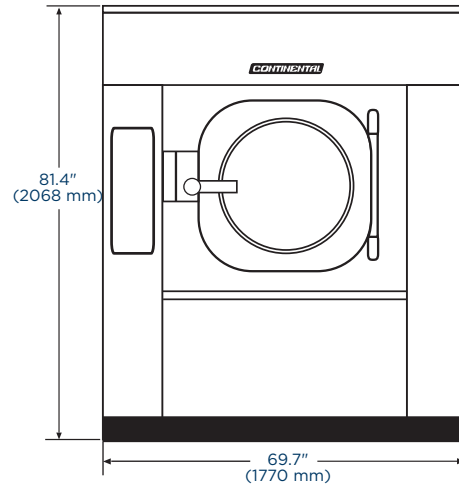


EH255 Stat

ON-PREMISE E-SERIES SOFT-MOUNT WASHER-EXTRACTOR

Capacity <i>lbs</i>	255
Cylinder Diameter <i>inch</i>	51.6
Cylinder Depth <i>inch</i>	32.1
Cylinder Volume <i>cu ft</i>	38.8
Net Weight <i>lbs</i>	8566
Crated Weight <i>lbs</i>	9056
Machine Dimensions <i>inch</i> WxDxH	69.7 x 76.3 x 81.4
Door Opening <i>inch</i>	26.9
Floor to Door <i>inch</i>	31.8
Shipping Dimensions <i>inch</i> WxDxH	76.8 x 83.5 x 88.4
Washing Speed <i>rpm</i>	13/17/22/27/32
Spin Speeds <i>rpm</i>	66/250/405/565/725
G-force	3.2/46/120/234/385
Static Force Transmitted <i>lbs</i>	9778
Dynamic Force Transmitted <i>lbs</i>	1482
Frequency of Dynamic Force <i>Hz</i>	12.1
Available Voltages/Wire Conductor/Amp	
Hot Water (standard)	208-240/60/3, 3W+G, 40
Hot Water (standard)	440-480/60/3, 3W+G, 20
Steam Auxiliary Heat (optional)	208-240/60/3, 3W+G, 40
Steam Auxiliary Heat (optional)	440-480/60/3, 3W+G, 20
Drain Diameter <i>inch</i>	5
Water Inlets <i>inch</i>	2 @ 2
Recommended Water Pressure <i>PSI</i>	30-60
Water Flow <i>gal/min</i>	58
Steam Connection <i>inch</i>	1
Steam Pressure (optional) <i>PSI</i>	29-87
Steam Flow (optional) <i>lbs/h</i>	794
Total Power <i>kW</i>	11
Compressed Air Connection <i>inch</i>	3/8
Compressed Air Pressure <i>PSI</i>	87-100
Compressed Air Flow <i>cfm</i>	10

* Specifications subject to change without notice or obligation. Contact Continental Girbau at (800) 256-1073 for dimensions not shown or for clarification.



EH255 Tilt

ON-PREMISE E-SERIES SOFT-MOUNT WASHER-EXTRACTOR

ARCHITECTURAL/MECHANICAL
PRODUCT SPECIFICATIONS

Capacity <i>lbs</i>	255
Cylinder Diameter <i>inch</i>	51.6
Cylinder Depth <i>inch</i>	32.1
Cylinder Volume <i>cu ft</i>	38.8
Net Weight <i>lbs</i>	9343
Crated Weight <i>lbs</i>	10098
Crated Weight-Tilt Assembly <i>lbs</i>	1112
Machine Dimensions <i>inch</i> WxDxH	72.4 x 81 x 88.8
Door Opening <i>inch</i>	26.9
Floor to Door <i>inch</i>	39.2
Shipping Dimensions <i>inch</i> WxDxH	76.8 x 83.5 x 88.4
Shipping Dimensions-Tilt Assembly WxDxH <i>inch</i>	42.5 x 78 x 27.6
Washing Speed <i>rpm</i>	13/17/22/27/32
Spin Speeds <i>rpm</i>	66/250/405/565/725
G-force	3.2/46/120/234/385
Static Force Transmitted <i>lbs</i>	10555
Dynamic Force Transmitted <i>lbs</i>	1482
Frequency of Dynamic Force <i>Hz</i>	12.1
Available Voltages/Wire Conductor/Amp	
Hot Water (standard)	208-240/60/3, 3W+G, 40
Hot Water (standard)	440-480/60/3, 3W+G, 20
Steam Auxiliary Heat (optional)	208-240/60/3, 3W+G, 40
Steam Auxiliary Heat (optional)	440-480/60/3, 3W+G, 20
Drain Diameter <i>inch</i>	5
Water Inlets <i>inch</i>	2 @ 2
Recommended Water Pressure <i>PSI</i>	30-60
Water Flow <i>gal/min</i>	58
Steam Connection <i>inch</i>	1
Steam Pressure (optional) <i>PSI</i>	29-87
Steam Flow (optional) <i>lbs/h</i>	794
Total Power <i>kW</i>	11
Compressed Air Connection <i>inch</i>	3/8
Compressed Air Pressure <i>PSI</i>	87-100
Compressed Air Flow <i>cfm</i>	10

* Specifications subject to change without notice or obligation. Contact Continental Girbau at (800) 256-1073 for dimensions not shown or for clarification.

