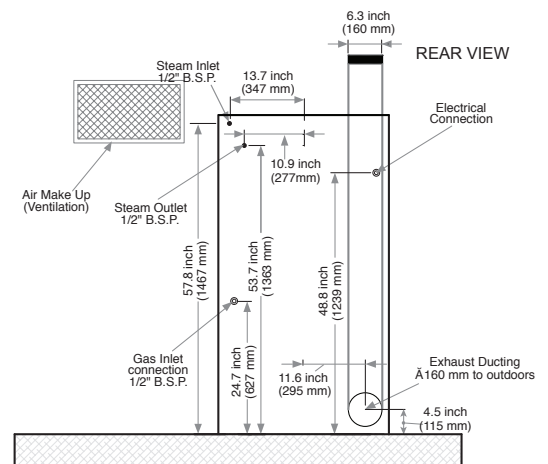
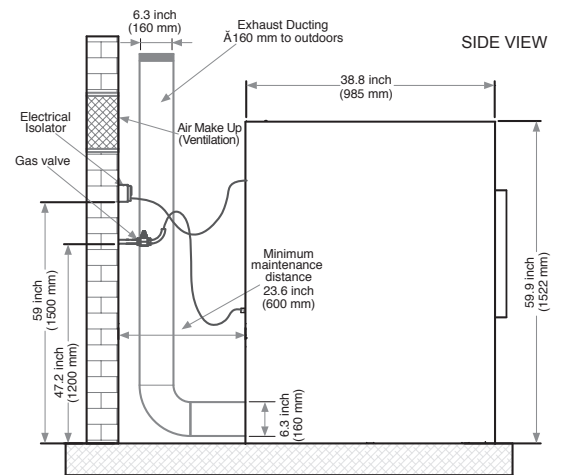
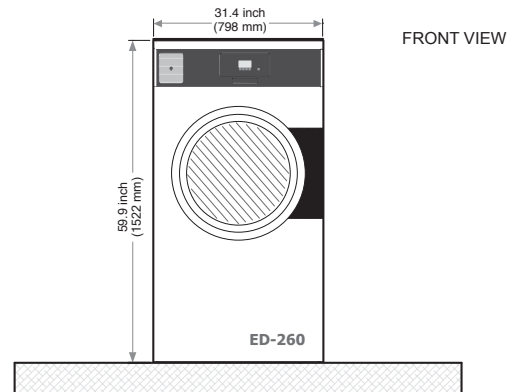


ED260

ED-SERIES 30-POUND CAPACITY TEXTILE CARE DRYER

PRODUCT SPECS	
Capacity <i>lbs</i>	30
Cylinder Diameter <i>inch</i>	29
Cylinder Depth <i>inch</i>	24.1
Cylinder Volume <i>cu ft</i>	9.2
Net Weight <i>lbs</i>	549
Crated Weight <i>lbs</i>	593
Machine Dimensions <i>inch (WxDXH)</i>	
Gas/Electric	31.4 x 38.8 x 59.9
Steam	31.4 x 38.8 x 61.1
Door Opening <i>inch</i>	22
Floor to Door <i>inch</i>	22.5
Shipping Dimensions <i>inch</i>	
WxDxH	32.5 x 43 x 66.1
Drum Motor Power <i>Hp</i>	0.54
Extraction Motor Power <i>Hp</i>	0.34
Exhaust Diameter <i>inch</i>	6.3
Exhaust Air Flow <i>cfm</i>	391.4
Electric Heating <i>kW</i>	12.3
Gas Connection <i>inch</i>	1/2 NPT
Gas Heating <i>BTU/h</i>	70,480
Steam Connection <i>inch</i>	
Inlet	1/2 NPT
Outlet	1/2 NPT
Steam Heating <i>BTU/h</i>	
at 130 PSI	68,003
BHP Consumption <i>BHP</i>	
at 130 PSI	1.62
Available Voltages/Wire Conductor/Amp (Rev Amp)	
Gas/Steam	200-240/60/1, 2W+G, 6 200-240/60/3, 3W+G, 6 200-240/50/1, 2W+G, 6 380-415/60/3, 4W+G, 6
Electric	200-240/60/3, 3W+G, 40 380-415/60/1, 4W+G, 25

* Specifications subject to change without notice or obligation. Contact Poseidon Textile Care at (800) 256-1073 for dimensions not shown or for clarification.

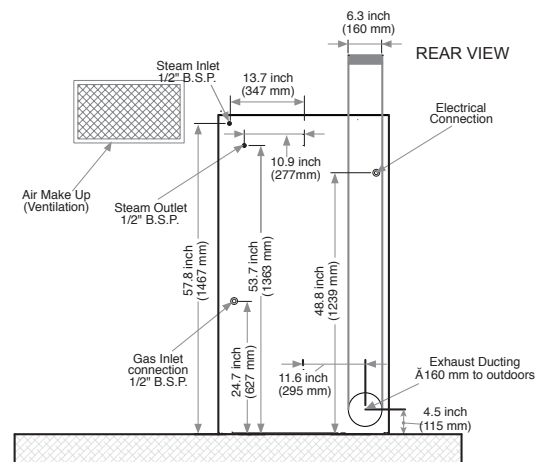
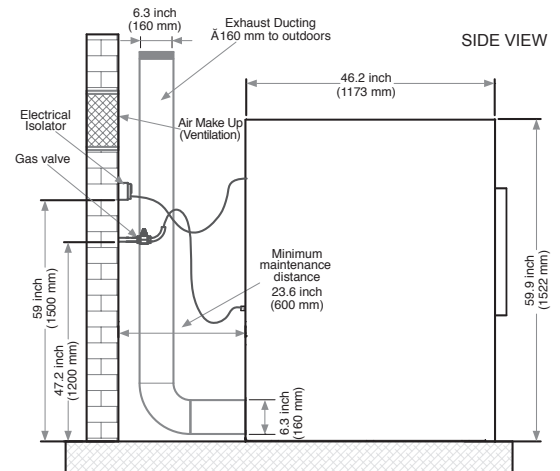
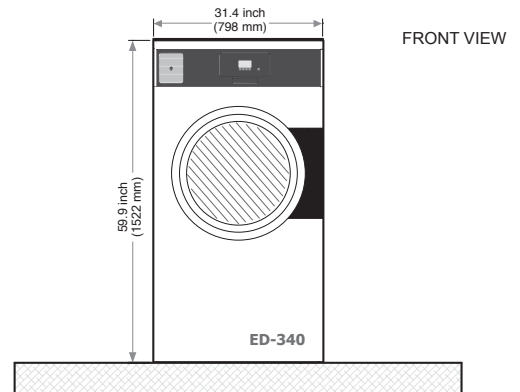


ED340

ED-SERIES 40-POUND CAPACITY TEXTILE CARE DRYER

PRODUCT SPECS	
Capacity <i>lbs</i>	40
Cylinder Diameter <i>inch</i>	29
Cylinder Depth <i>inch</i>	31.5
Cylinder Volume <i>cu ft</i>	12
Net Weight <i>lbs</i>	616
Crated Weight <i>lbs</i>	660
Machine Dimensions <i>inch (WxDXH)</i>	
Gas/Electric	31.4 x 46.2 x 59.9
Steam	31.4 x 46.2 x 61.1
Door Opening <i>inch</i>	22
Floor to Door <i>inch</i>	22.4
Shipping Dimensions <i>inch WxDxH</i>	32.5 x 50.4 x 66.1
Drum Motor Power <i>Hp</i>	0.6
Extraction Motor Power <i>Hp</i>	0.34
Exhaust Diameter <i>inch</i>	6.3
Exhaust Air Flow <i>cfm</i>	410
Electric Heating <i>kW</i>	18
Gas Connection <i>inch</i>	1/2 NPT
Gas Heating <i>BTU/h</i>	79,575
Steam Connection <i>inch</i>	
Inlet	1/2 NPT
Outlet	1/2 NPT
Steam Heating <i>BTU/h</i> at 130 PSI	70,324
BHP Consumption <i>BHP</i> at 130 PSI	1.68
Available Voltages/Wire Conductor/Amp (Rev Amp)	
Gas/Steam	200-240/60/1, 2W+G, 6 200-240/60/3, 3W+G, 6 200-240/50/1, 2W+G, 6 380-415/60/3, 4W+G, 6
Electric	200-240/60/3, 3W+G, 63 380-415/60/3, 4W+G, 40

* Specifications subject to change without notice or obligation. Contact Poseidon Textile Care at (800) 256-1073 for dimensions not shown or for clarification.

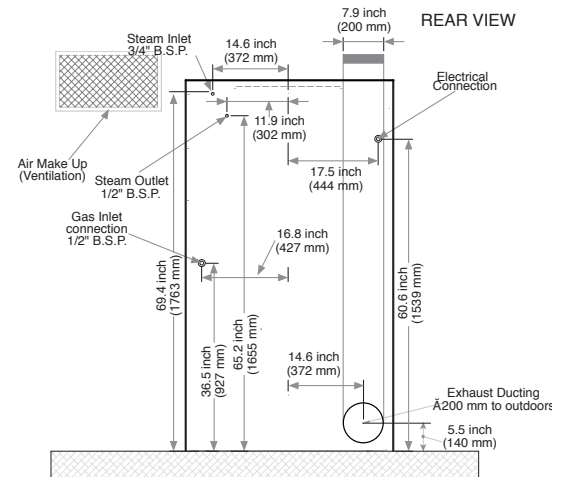
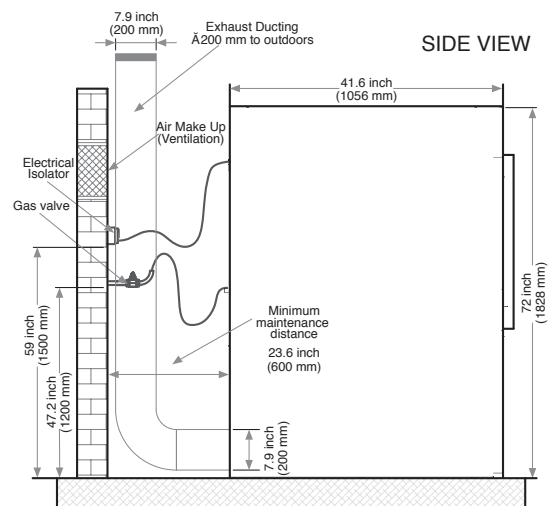
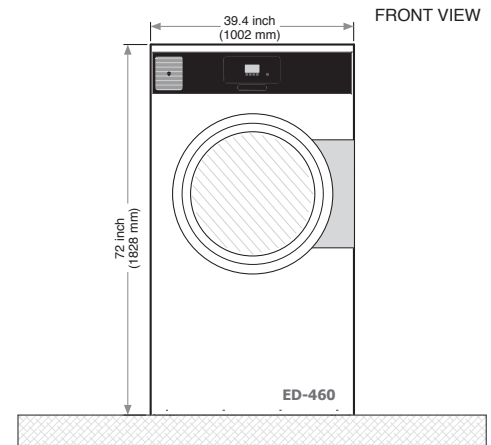


ED460

ED-SERIES 60-POUND CAPACITY TEXTILE CARE DRYER

PRODUCT SPECS	
Capacity <i>lbs</i>	60
Cylinder Diameter <i>inch</i>	37
Cylinder Depth <i>inch</i>	26.1
Cylinder Volume <i>cu ft</i>	16.2
Net Weight <i>lbs</i>	747
Crated Weight <i>lbs</i>	795
Machine Dimensions <i>inch (WxDXH)</i>	
Gas/Electric	39.4 x 41.6 x 72
Steam	39.4 x 41.6 x 73.2
Door Opening <i>inch</i>	28
Floor to Door <i>inch</i>	27.4
Shipping Dimensions <i>inch WxDxH</i>	40.6 x 45.8 x 78.1
Drum Motor Power <i>Hp</i>	1.07
Extraction Motor Power <i>Hp</i>	0.74
Exhaust Diameter <i>inch</i>	7.9
Exhaust Air Flow <i>cfm</i>	802
Electric Heating <i>kW</i>	24.6
Gas Connection <i>inch</i>	1/2 NPT
Gas Heating <i>BTU/h</i>	117,467
Steam Connection <i>inch</i>	
Inlet	3/4 NPT
Outlet	1/2 NPT
Steam Heating <i>BTU/h</i> at 130 PSI	142,764
BHP Consumption <i>BHP</i> at 130 PSI	3.41
Available Voltages/Wire Conductor/Amp (Rev Amp)	
Gas/Steam	200-240/60/1, 2W+G, 10 200-240/60/3, 3W+G, 10 200-240/50/1, 2W+G, 10 380-415/60/3, 4W+G, 10
Electric	200-240/60/3, 3W+G, 80 380-415/60/3, 4W+G, 50

* Specifications subject to change without notice or obligation. Contact Poseidon Textile Care at (800) 256-1073 for dimensions not shown or for clarification.



ED660

ED-SERIES 85-POUND CAPACITY TEXTILE CARE DRYER

PRODUCT SPECS	
Capacity <i>lbs</i>	85
Cylinder Diameter <i>inch</i>	37
Cylinder Depth <i>inch</i>	37.4
Cylinder Volume <i>cu ft</i>	23.3
Net Weight <i>lbs</i>	850
Crated Weight <i>lbs</i>	901
Machine Dimensions <i>inch (WxDXH)</i>	
Gas/Electric	39.4 x 52.9 x 72
Steam	39.4 x 52.9 x 73.2
Door Opening <i>inch</i>	28
Floor to Door <i>inch</i>	27.4
Shipping Dimensions <i>inch WxDxH</i>	40.6 x 57.1 x 78.1
Drum Motor Power <i>Hp</i>	1.14
Extraction Motor Power <i>Hp</i>	0.74
Exhaust Diameter <i>inch</i>	7.9
Exhaust Air Flow <i>cfm</i>	825.2
Electric Heating <i>kW</i>	30.8
Gas Connection <i>inch</i>	1/2 NPT
Gas Heating <i>BTU/h</i>	147,781
Steam Connection <i>inch</i>	
Inlet	3/4 NPT
Outlet	1/2 NPT
Steam Heating <i>BTU/h</i>	
at 130 PSI	145,596
BHP Consumption <i>BHP</i>	
at 130 PSI	3.48
Available Voltages/Wire Conductor/Amp (Rev Amp)	
Gas/Steam	200-240/60/1, 2W+G, 10 200-240/60/3, 3W+G, 10 200-240/50/1, 2W+G, 10 380-415/60/3, 4W+G, 10
Electric	200-240/60/3, 3W+G, 100 380-415/60/3, 4W+G, 63

* Specifications subject to change without notice or obligation. Contact Poseidon Textile Care at (800) 256-1073 for dimensions not shown or for clarification.

