

# EHO20

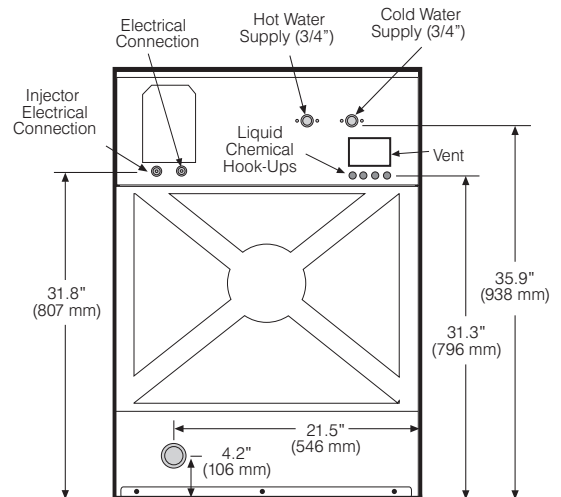
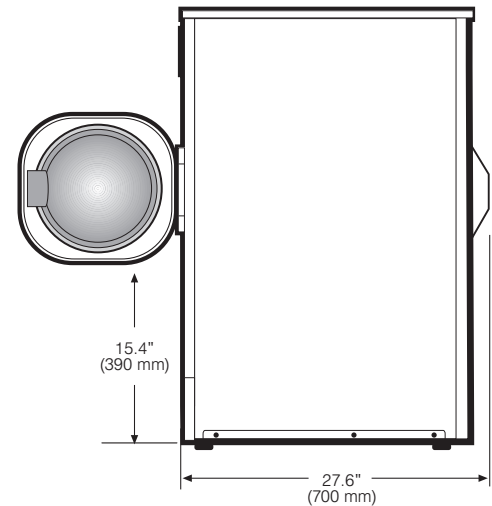
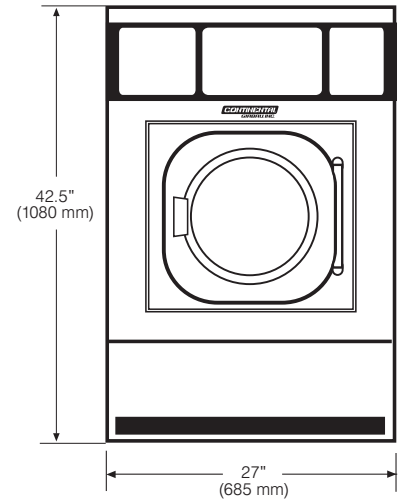
## ON-PREMISE E-SERIES SOFT-MOUNT WASHER-EXTRACTOR

ARCHITECTURAL/MECHANICAL  
PRODUCT SPECIFICATIONS

PRODUCT SPECS	
Capacity <i>lbs</i>	20
Cylinder Diameter <i>inch</i>	21.1
Cylinder Depth <i>inch</i>	13.8
Cylinder Volume <i>cu ft</i>	2.8
Net Weight <i>lbs</i>	249
Crated Weight <i>lbs</i>	271
Machine Dimensions <i>inch</i> WxDxH	27 x 27.6 x 42.5
Door Opening <i>inch</i>	12.7
Floor to Door <i>inch</i>	15.4
Shipping Dimensions <i>inch</i> WxDxH	28.3 x 29.1 x 47.7
Washing Speed <i>rpm</i>	50
Spin Speed <i>rpm</i>	50/100/400/600/800/970
G-force	0.75/3/49/108/192/300
Static Force Transmitted <i>lbs</i>	340
Dynamic Force Transmitted <i>lbs</i>	115
Frequency of Dynamic Force <i>Hz</i>	16.2
Available Voltages/Wire Conductor/Amp	
Hot Water (standard)	120/60/1, 3-prong cord, 15
Hot Water (standard)	208-240/60/1, 2W+G, 5
Electric Auxiliary Heat (optional)	208-240/60/1, 2W+G, 20
Electric Auxiliary Heat (optional)	208-240/60/3, 3W+G, 20
Modified Energy Factor (MEF)	2.21
Water Consumption Factor (WCF)	5.03
Drain Diameter <i>inch</i>	
Pump Drain	1
Gravity Drain	2
Water Inlets <i>inch</i>	3/4
Recommended Water Pressure <i>PSI</i>	30-60
Water Flow <i>gal/min</i>	8
Total Power <i>kW</i>	0.8
Electrical Heating Power (optional) <i>kW</i>	4.3

\* Specifications subject to change without notice or obligation. Contact Poseidon Textile Care at (800) 256-1073 for dimensions not shown or for clarification.

\* Modified Energy Factor (MEF) measured in cubic feet per kilowatt-hour per cycle. Water Consumption Factor (WCF) measured in gallons per cycle per cubic feet. MEF and WCF statistics are according to DOE test results report by Intertek, an independent testing laboratory, dated February 27, 2007.



# EHO30

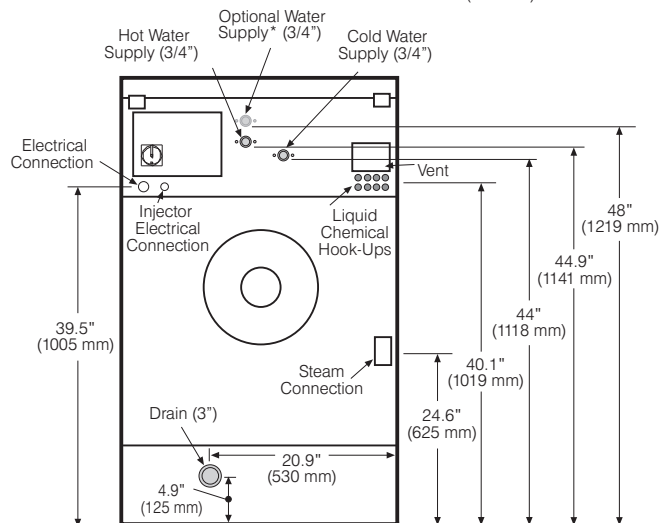
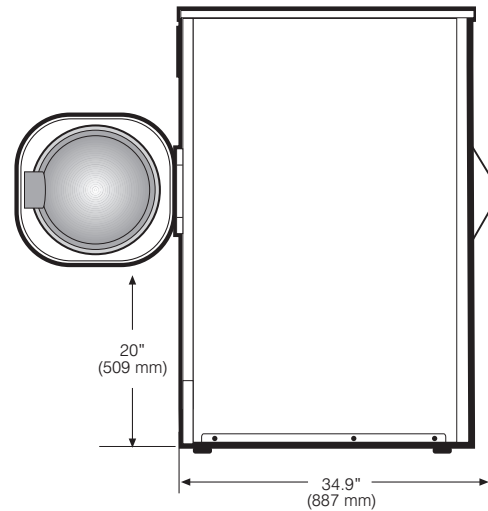
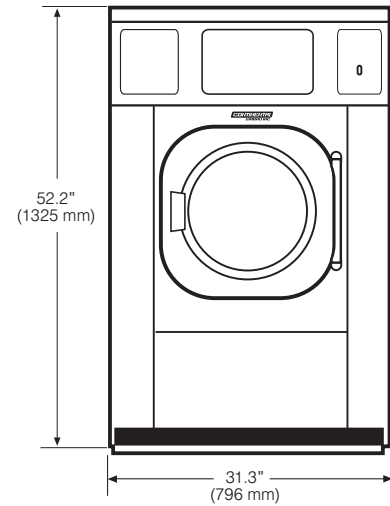
## ON-PREMISE E-SERIES SOFT-MOUNT WASHER-EXTRACTOR

ARCHITECTURAL/MECHANICAL  
PRODUCT SPECIFICATIONS

PRODUCT SPECS	
Capacity <i>lbs</i>	30
Cylinder Diameter <i>inch</i>	24.4
Cylinder Depth <i>inch</i>	16.4
Cylinder Volume <i>cu ft</i>	4.4
Net Weight <i>lbs</i>	758
Crated Weight <i>lbs</i>	820
Machine Dimensions <i>inch</i> WxDxH	31.3 x 34.9 x 52.2
Door Opening <i>inch</i>	12.9
Floor to Door <i>inch</i>	20
Shipping Dimensions <i>inch</i> WxDxH	32.4 x 37.2 x 58.5
Washing Speed <i>rpm</i>	48
Logi Control	17/23/30/37/44
Inteli Control	
Spin Speeds <i>rpm</i>	48/100/400/600/800/1000
G-force	0.8/3.46/56/125/222/346
Static Force Transmitted <i>lbs</i>	902
Dynamic Force Transmitted <i>lbs</i>	201
Frequency of Dynamic Force <i>Hz</i>	16.7
Available Voltages/Wire Conductor/Amp	
Hot Water (standard)	208-240/60/1, 2W+G, 10
Electric Auxiliary Heat (optional)	208/60/1, 2W+G, 40
Electric Auxiliary Heat (optional)	240/60/1, 2W+G, 50
Electric Auxiliary Heat (optional)	208-240/60/3, 3W+G, 40
Modified Energy Factor (MEF)	2.08
Water Consumption Factor (WCF)	4.68
Drain Diameter <i>inch</i>	3
Water Inlets <i>inch</i>	2 @ 3/4
Recommended Water Pressure <i>PSI</i>	30-60
Water Flow <i>gal/min</i>	16
Steam Connection <i>inch</i>	1/2
Steam Pressure (optional) <i>PSI</i>	29-87
Steam Flow (optional) <i>lbs/h</i>	176
Total Power <i>kW</i>	0.87
Electrical Heating Power (optional) <i>kW</i>	
Single Phase 240V	8.4
Three Phase 240V	12.4

\* Specifications subject to change without notice or obligation. Contact Poseidon Textile Care at (800) 256-1073 for dimensions not shown or for clarification.

\* Modified Energy Factor (MEF) measured in cubic feet per kilowatt-hour per cycle. Water Consumption Factor (WCF) measured in gallons per cycle per cubic feet. MEF and WCF statistics are according to DOE test results report by Intertek, an independent testing laboratory, dated February 27, 2007.



# EHO40

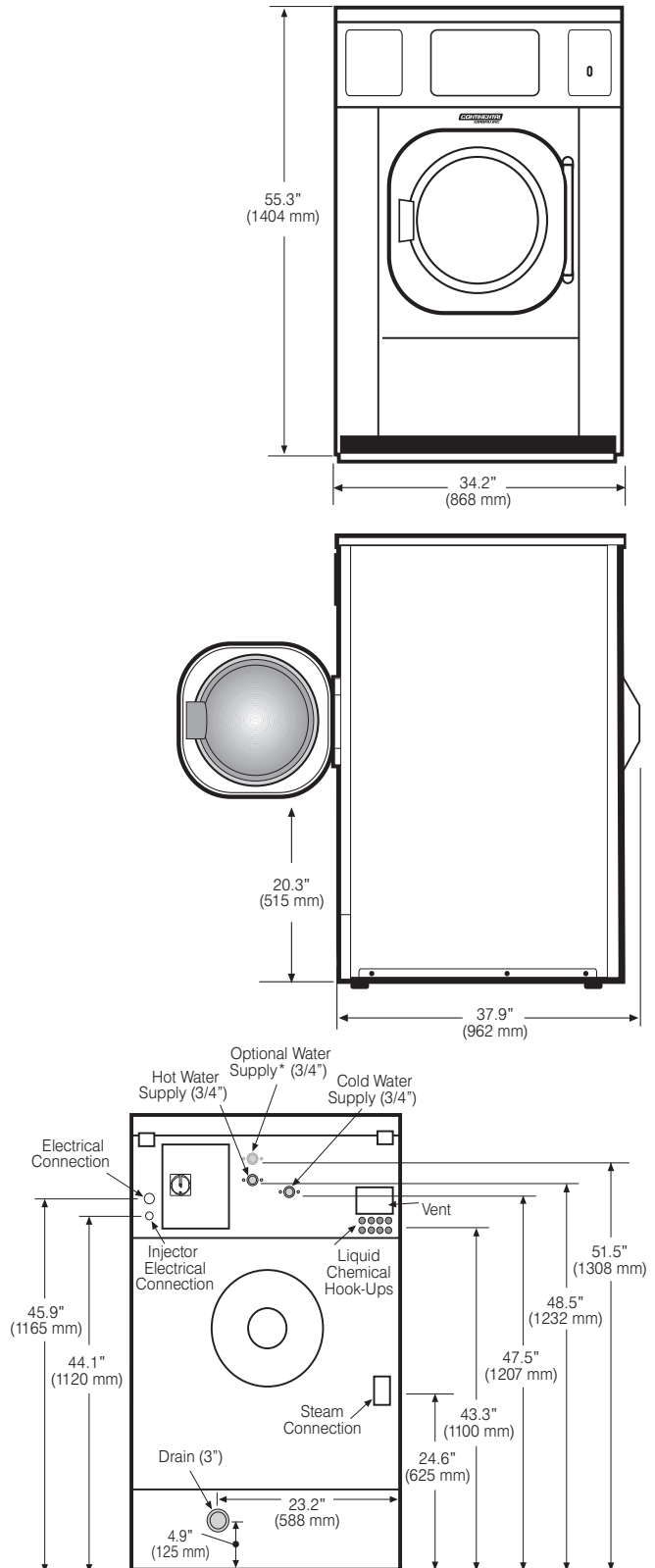
## ON-PREMISE E-SERIES SOFT-MOUNT WASHER-EXTRACTOR

ARCHITECTURAL/MECHANICAL  
PRODUCT SPECIFICATIONS

PRODUCT SPECS	
Capacity <i>lbs</i>	40
Cylinder Diameter <i>inch</i>	27.6
Cylinder Depth <i>inch</i>	17.7
Cylinder Volume <i>cu ft</i>	6.1
Net Weight <i>lbs</i>	1049
Crated Weight <i>lbs</i>	1091
Machine Dimensions <i>inch</i> WxDxH	34.2 x 37.9 x 55.3
Door Opening <i>inch</i>	16.8
Floor to Door <i>inch</i>	20.3
Shipping Dimensions <i>inch</i> WxDxH	35.3 x 40 x 61.6
Washing Speed <i>rpm</i> Logi Control Inteli Control	45 17/23/30/37/44
Spin Speeds <i>rpm</i> Logi Control Inteli Control	45/100/375/570/750/950 44/100/375/570/750/950
G-force	0.8/3.9/55/127/220/354
Static Force Transmitted <i>lbs</i>	1237
Dynamic Force Transmitted <i>lbs</i>	212
Frequency of Dynamic Force <i>Hz</i>	15.8
Available Voltages/Wire Conductor/Amp	
Hot Water (standard)	208-240/60/1, 2W+G, 10
Electric Auxiliary Heat (optional)	208/60/1, 2W+G, 45
Electric Auxiliary Heat (optional)	240/60/1, 2W+G, 60
Electric Auxiliary Heat (optional)	208/60/3, 2W+G, 40
Electric Auxiliary Heat (optional)	240/60/3, 3W+G, 50
Steam Auxiliary Heat (optional)	240/60/1, 2W+G, 10
Modified Energy Factor (MEF)	1.96
Water Consumption Factor (WCF)	5.04
Drain Diameter <i>inch</i>	3
Water Inlets <i>inch</i>	2 @ 3/4
Recommended Water Pressure <i>PSI</i>	30-60
Water Flow <i>gal/min</i>	16
Steam Connection <i>inch</i>	1/2
Steam Pressure (optional) <i>PSI</i>	29-87
Steam Flow (optional) <i>lbs/h</i>	176
Total Power <i>kW</i>	1.3
Electrical Heating Power (optional) <i>kW</i>	
Single Phase 240V	10.6
Three Phase 240V	15.6

\* Specifications subject to change without notice or obligation. Contact Poseidon Textile Care at (800) 256-1073 for dimensions not shown or for clarification.

\* Modified Energy Factor (MEF) measured in cubic feet per kilowatt-hour per cycle. Water Consumption Factor (WCF) measured in gallons per cycle per cubic feet. MEF and WCF statistics are according to DOE test results report by Intertek, an independent testing laboratory, dated February 27, 2007.

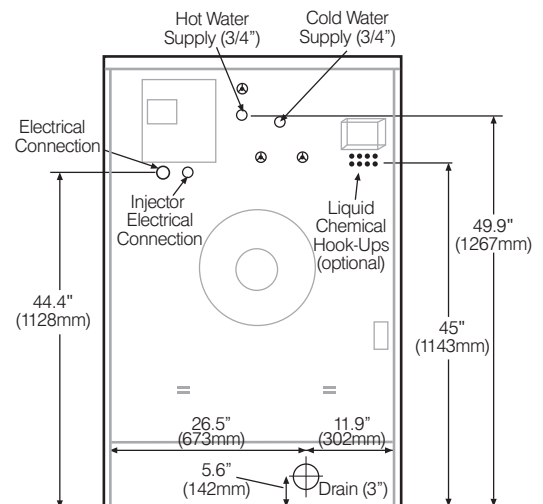
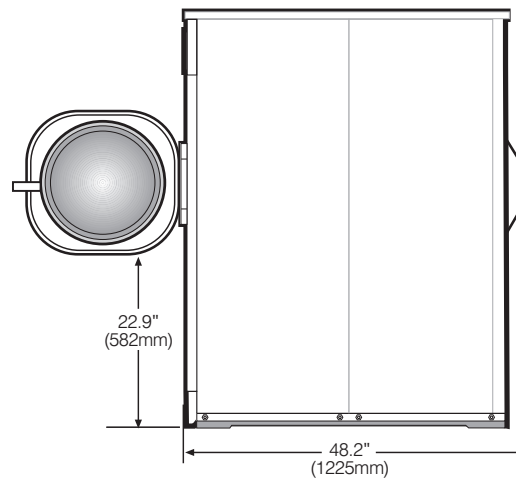
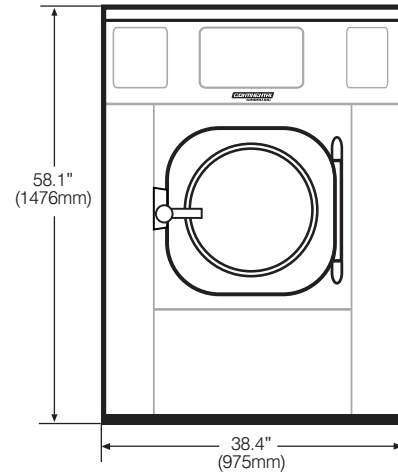


# EHO60

## ON-PREMISE E-SERIES SOFT-MOUNT WASHER-EXTRACTOR

PRODUCT SPECS	
Capacity <i>lbs</i>	60
Cylinder Diameter <i>inch</i>	30.5
Cylinder Depth <i>inch</i>	20.5
Cylinder Volume <i>cu ft</i>	8.4
Net Weight <i>lbs</i>	1289
Crated Weight <i>lbs</i>	1338
Machine Dimensions <i>inch</i> WxDxH	38.4 x 48.2 x 58.1
Door Opening <i>inch</i>	16.8
Floor to Door <i>inch</i>	22.9
Shipping Dimensions <i>inch</i> WxDxH	39.4 x 49.6 x 64.2
Washing Speed <i>rpm</i>	42
Logi Control	22/27/36/42
Inteli Control	
Spin Speeds <i>rpm</i>	42/86/350/550/725/966
G-force	0.75/3.2/52/129/224/400
Static Force Transmitted <i>lbs</i>	1528
Dynamic Force Transmitted <i>lbs</i>	291
Frequency of Dynamic Force <i>Hz</i>	16.1
Available Voltages/Wire Conductor/Amp	
Hot Water (standard)	208-240/60/1, 2W+G, 15
Hot Water (standard)	208-240/60/3, 3W+G, 15
Electric Auxiliary Heat (optional)	208/60/3, 3W+G, 50
Electric Auxiliary Heat (optional)	240/60/3, 3W+G, 60
Steam Auxiliary Heat (optional)	208-240/60/1 2W+G, 15
Steam Auxiliary Heat (optional)	208-240/60/3, 3W+G, 15
Drain Diameter <i>inch</i>	3
Water Inlets <i>inch</i>	2 @ 3/4
Recommended Water Pressure <i>PSI</i>	30-60
Water Flow <i>gal/min</i>	16
Steam Connection <i>inch</i>	1/2
Steam Pressure (optional) <i>PSI</i>	29-87
Steam Flow (optional) <i>lbs/h</i>	176
Total Power <i>kW</i>	1.88
Electrical Heating Power (optional) <i>kW</i>	20.3

\* Specifications subject to change without notice or obligation. Contact Poseidon Textile Care at (800) 256-1073 for dimensions not shown or for clarification.

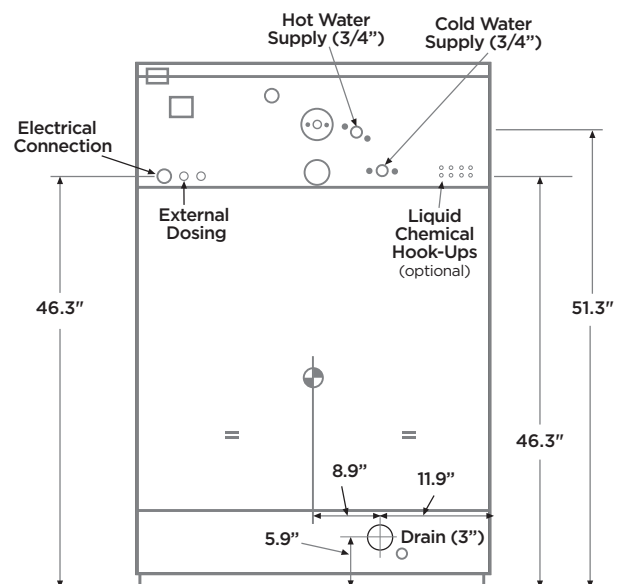
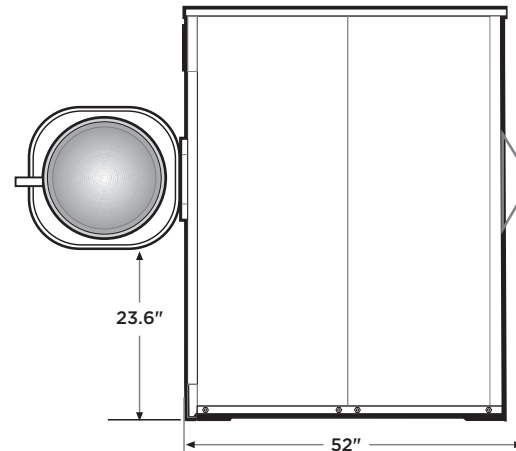
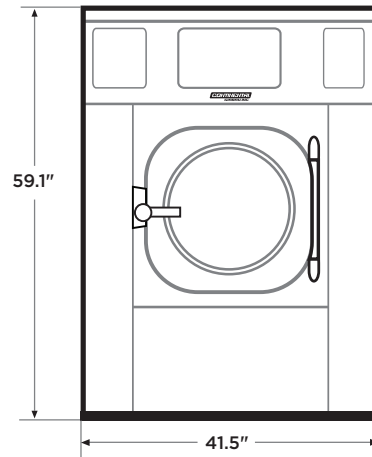


# EHO70

## ON-PREMISE E-SERIES SOFT-MOUNT WASHER-EXTRACTOR

PRODUCT SPECS	
Capacity <i>lbs</i>	70
Cylinder Diameter <i>inch</i>	32.5
Cylinder Depth <i>inch</i>	20.9
Cylinder Volume <i>cu ft</i>	9.9
Net Weight <i>lbs</i>	1401
Crated Weight <i>lbs</i>	1484
Machine Width <i>inch</i>	41.5
Machine Depth <i>inch</i>	52
Machine Height <i>inch</i>	59.1
Door Opening <i>inch</i>	16.8
Floor to Door <i>inch</i>	23.6
Shipping Dimensions <i>inch</i> WxDxH	42.3 x 52 x 65.2
Washing Speeds <i>rpm</i>	16/21/26/36/42
Spin Speeds <i>rpm</i>	83/335/530/698/937
G-force	3.17/52/130/225/405
Static Force Transmitted <i>lbs</i>	1790
Dynamic Force Transmitted <i>lbs</i>	403
Frequency of Dynamic Force <i>Hz</i>	15.5
Available Voltages / Wire Conductor / Amp	
Hot Water (standard)	208-240/60/1, 2W+G, 20
Electric Auxiliary Heat (optional)	208-240/60/1, 2W+G, 20
Hot Water (standard)	208-240/60/3, 3W+G, 10
Electric Auxiliary Heat (optional)	208/60/3, 3W+G, 60
Electric Auxiliary Heat (optional)	240/60/3, 3W+G, 60
Steam Auxiliary Heat (optional)	208-240/60/3, 3W+G, 10
Drain Diameter <i>inch</i>	3
Water Inlets <i>inch</i>	2 @ 3/4
Recommended Water Pressure <i>PSI</i>	30-60
Water Flow <i>gal/min</i>	16
Steam Connection <i>inch</i>	1/2
Steam Pressure (optional) <i>PSI</i>	29-87
Steam Flow (optional) <i>lbs/h</i>	176
Total Power <i>kW</i>	3.0
Electric Heating Power (optional) <i>kW</i>	20.7

\* Specifications subject to change without notice or obligation. Contact Poseidon Textile Care at (800) 256-1073 for dimensions not shown or for clarification.

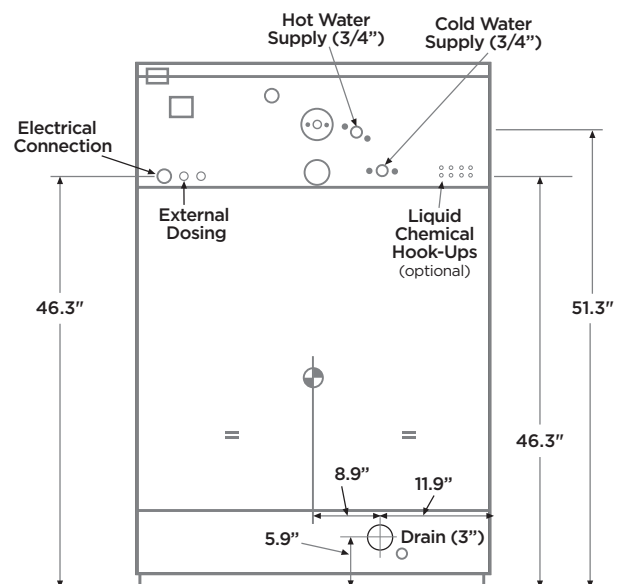
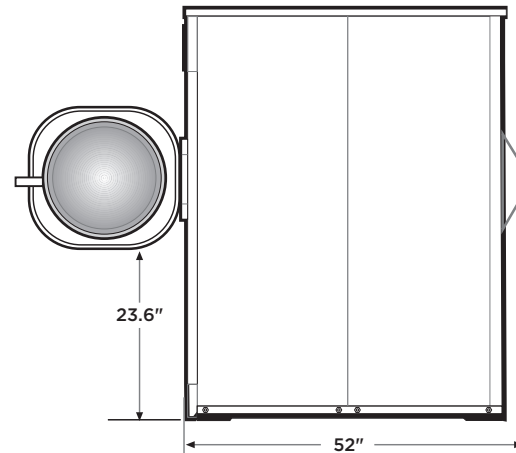
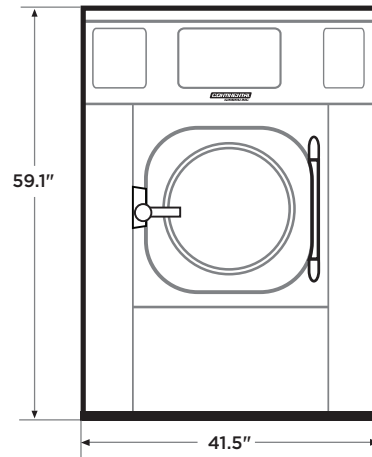


# EH080

## ON-PREMISE E-SERIES SOFT-MOUNT WASHER-EXTRACTOR

PRODUCT SPECS	
Capacity <i>lbs</i>	80
Cylinder Diameter <i>inch</i>	32.5
Cylinder Depth <i>inch</i>	23.5
Cylinder Volume <i>cu ft</i>	11.3
Net Weight <i>lbs</i>	1499
Crated Weight <i>lbs</i>	1583
Machine Width <i>inch</i>	41.5
Machine Depth <i>inch</i>	52
Machine Height <i>inch</i>	59.1
Door Opening <i>inch</i>	16.8
Floor to Door <i>inch</i>	23.6
Shipping Dimensions <i>inch</i> WxDxH	42.3 x 52 x 65.2
Washing Speeds <i>rpm</i>	21/26/36/42
Spin Speeds <i>rpm</i>	83/335/530/698/931
G-force	3.17/52/130/225/400
Static Force Transmitted <i>lbs</i>	1850
Dynamic Force Transmitted <i>lbs</i>	412
Frequency of Dynamic Force <i>Hz</i>	15.5
Available Voltages / Wire Conductor / Amp	
Hot Water (standard)	208-240/60/3, 3W+G, 10
Electric Auxiliary Heat (optional)	208/60/3, 3W+G, 60
Electric Auxiliary Heat (optional)	240/60/3, 3W+G, 60
Steam Auxiliary Heat (optional)	208-240/60/3, 3W+G, 10
Drain Diameter <i>inch</i>	3
Water Inlets <i>inch</i>	2 @ 3/4
Recommended Water Pressure <i>PSI</i>	30-60
Water Flow <i>gal/min</i>	16
Steam Connection <i>inch</i>	1/2
Steam Pressure (optional) <i>PSI</i>	29-87
Steam Flow (optional) <i>lbs/h</i>	176
Total Power <i>kW</i>	4.2
Electric Heating Power (optional) <i>kW</i>	20.7

\* Specifications subject to change without notice or obligation. Contact Poseidon Textile Care at (800) 256-1073 for dimensions not shown or for clarification.



# EH090

## ON-PREMISE E-SERIES SOFT-MOUNT WASHER-EXTRACTOR

PRODUCT SPECS	
Capacity <i>lbs</i>	90
Cylinder Diameter <i>inch</i>	35.4
Cylinder Depth <i>inch</i>	24.4
Cylinder Volume <i>cu ft</i>	13.9
Net Weight <i>lbs</i>	3106
Crated Weight <i>lbs</i>	3405
Machine Dimensions <i>inch</i> WxDxH	54.7 x 57.3 x 70.8
Door Opening <i>inch</i>	22
Floor to Door <i>inch</i>	25.9
Shipping Dimensions <i>inch</i> WxDxH	59.8 x 62.2 x 79.9
Washing Speed <i>rpm</i>	19/26/33/40
Spin Speeds <i>rpm</i>	40/79/325/490/680/870
G-force	0.8/3.1/53/121/233/381
Static Force Transmitted <i>lbs</i>	3547
Dynamic Force Transmitted <i>lbs</i>	556
Frequency of Dynamic Force <i>Hz</i>	14.5
Available Voltages/Wire Conductor/Amp	
Hot Water (standard)	208-240/60/3, 3W+G, 15
Hot Water (standard)	440-480/60/3, 3W+G, 10
Electric Auxiliary Heat (optional)	208/60/3, 3W+G, 80
Electric Auxiliary Heat (optional)	240/60/3, 3W+G, 80
Steam Auxiliary Heat (optional)	208-240/60/3, 3W+G, 15
Steam Auxiliary Heat (optional)	440-480/60/3, 3W+G, 10
Drain Diameter <i>inch</i>	3
Water Inlets <i>inch</i>	2 @ 1
Recommended Water Pressure <i>PSI</i>	30-60
Water Flow <i>gal/min</i>	26
Steam Connection <i>inch</i>	3/4
Steam Pressure (optional) <i>PSI</i>	29-87
Steam Flow (optional) <i>lbs/h</i>	397
Total Power <i>kW</i>	4.8
Electrical Heating Power (optional) <i>kW</i>	
208/60/3	18.6
240/60/3	24.2

\* Specifications subject to change without notice or obligation. Contact Poseidon Textile Care at (800) 256-1073 for dimensions not shown or for clarification.

